

auto electrical parts

Technical Information Sheet

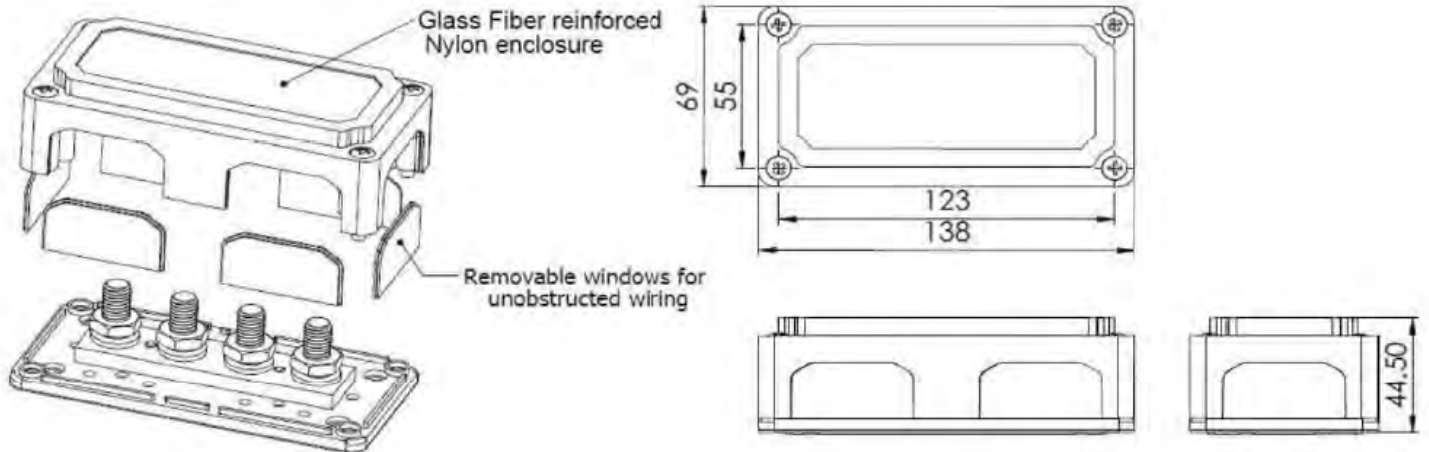
Part No. 0-005-58

Heavy Duty Bus bar, 300 amp, Nickle Plated Brass Bar with 2 stainless steel M10 (3/8") Studs and 6 M5 (3/16") screws.

Nylon Glass Fibre Reinforced insulating base/cover. Rated at 300 amp at 48 volt dc. 6 Removable windows in cover for cable entry. 4 x 5mm recessed mounting holes.



Technical Drawing (not to scale)



Specification

Type	Bus Bar
DC Rating @ 48vdc	300A (Max Continuous)
Bolts	2 x M10 (3/8") & 6 x M5 (3/16") Screws
Bar Material	Nickle Plated Brass
Base	Reinforced Nylon Glass Fibre
Fixing	4 x 5mm recessed fixing holes
Weight	460g
Dimensions	See above

The information contained in this document is correct to the best of our knowledge at the time of printing. However, specifications may change at any time without notice.